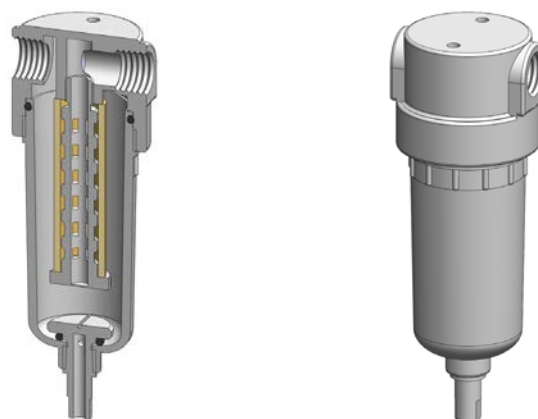


Materials PVDF
Pressure 7 Bar
Ports 1/8" or 1/4"
Element 12.57.□

KK121 series filter housings are constructed entirely from PVDF. They are supplied with 1/8" or 1/4" ports and have a range of drain options.

These housings are specified where a good chemical resistance is required.

Standard housings have NPT ports and a Viton seal. Other seal types are available as an option. BSPT and BSPP port types are also available.



Technical Specifications

Housing Model	KK121.101	KK121.111	KK121.161	KK121.201	KK121.211	KK121.261
Port Size	1/8" NPT	1/8" NPT	1/8" NPT	1/4" NPT	1/4" NPT	1/4" NPT
Drain	None	1/8" NPT	Manual	None	1/8" NPT	Manual
Maximum Pressure, Bar	7	7	7	7	7	7
Maximum Temperature, °C	120	120	120	120	120	120
Materials of Construction (1)						
Head, Bowl & Internals	PVDF	PVDF	PVDF	PVDF	PVDF	PVDF
Seals (2)	Viton	Viton	Viton	Viton	Viton	Viton
Filter Element Code (3)	12.57.□	12.57.□	12.57.□	12.57.□	12.57.□	12.57.□
Adsorber Cartridge Code (4)	12.57.AT□	12.57.AT□	12.57.AT□	12.57.AT□	12.57.AT□	12.57.AT□
Principal Dimensions in mm						
Diameter	45	45	45	45	45	45
Height	113	113	127	113	113	127
Volume, cc	55	55	55	55	55	55
Weight, kg	0.06	0.06	0.06	0.06	0.06	0.06
Accessories						
Mounting Bracket	MBSS11	MBSS11	MBSS11	MBSS11	MBSS11	MBSS11

Notes

(1) Material abbreviations, PVDF = Polyvinylidenedifluoride

(2) Add suffix for other seal types, PTFE = .T, Chemraz = .C, Nitrile = N, Kalrez = .K, EPDM = .E, Silicone = .S, (e.g. KK121.221.T)

(3) Replace the □ with the grade required, e.g. 12.57.5CK, 12.57.T20

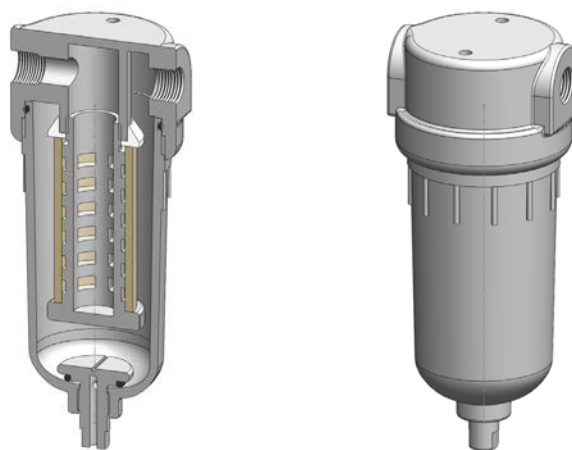
(4) Replace the □ with the type required, e.g. 12.57.AT01

Materials PVDF
Pressure 7 Bar
Ports 1/4" or 1/2"
Element 25.64.□

KK211 series filter housings are constructed entirely from PVDF. They are supplied with 1/4" or 1/2" ports and have a range of drain options.

These housings are specified where a good chemical resistance is required.

Standard housings have NPT ports and a Viton seal. Other seal types are available as an option. BSPT and BSPP port types are also available.



Technical Specifications

Housing Model	KK211.201	KK211.221	KK211.261	KK211.401	KK211.421	KK211.461
Port Size	1/4" NPT	1/4" NPT	1/4" NPT	1/2" NPT	1/2" NPT	1/2" NPT
Drain	None	1/4" NPT	Manual	None	1/4" NPT	Manual
Maximum Pressure, Bar	7	7	7	7	7	7
Maximum Temperature, °C	120	120	120	120	120	120
Materials of Construction (1)						
Head, Bowl & Internals	PVDF	PVDF	PVDF	PVDF	PVDF	PVDF
Seals (2)	Viton	Viton	Viton	Viton	Viton	Viton
Filter Element Code (3)	25.64.□	25.64.□	25.64.□	25.64.□	25.64.□	25.64.□
Adsorber Cartridge Code (4)	25.64.AT□	25.64.AT□	25.64.AT□	25.64.AT□	25.64.AT□	25.64.AT□
Principal Dimensions in mm						
Diameter	65	65	65	65	65	65
Height	147	147	159	147	147	159
Volume, cc	145	145	145	145	145	145
Weight, kg	0.2	0.2	0.2	0.2	0.2	0.2
Accessories						
Mounting Bracket	MBSS21	MBSS21	MBSS21	MBSS21	MBSS21	MBSS21

Notes

(1) Material abbreviations, PVDF = Polyvinylidenedifluoride

(2) Add suffix for other seal types, PTFE = .T, Chemraz = .C, Nitrile = N, Kalrez = .K, EPDM = .E, Silicone = .S, (e.g. FF211.221.T)

(3) Replace the □ with the grade required, e.g. 25.64.5CK, 25.64.T20

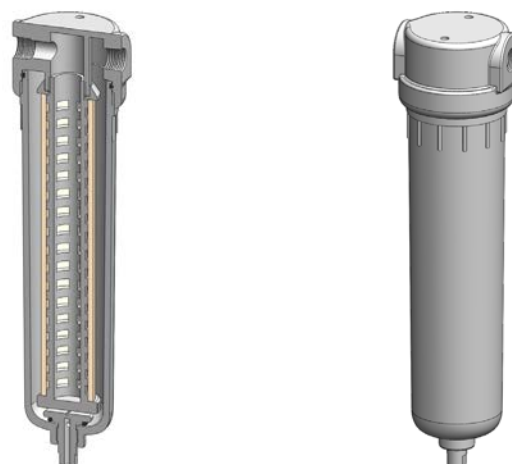
(4) Replace the □ with the type required, e.g. 25.64.AT01

Materials	PVDF
Pressure	7 Bar
Ports	1/4" or 1/2"
Element	25.178.□

KK231 series filter housings are constructed entirely from PVDF. They are supplied with 1/4" or 1/2" ports and have a range of drain options.

These housings are specified where a good chemical resistance is required.

Standard housings have NPT ports and a Viton seal. Other seal types are available as an option. BSPT and BSPP port types are also available.



Technical Specifications

Housing Model	KK231.201	KK231.221	KK231.261	KK231.401	KK231.421	KK231.461
Port Size	1/4" NPT	1/4" NPT	1/4" NPT	1/2" NPT	1/2" NPT	1/2" NPT
Drain	None	1/4" NPT	Manual	None	1/4" NPT	Manual
Maximum Pressure, Bar	7	7	7	7	7	7
Maximum Temperature, °C	120	120	120	120	120	120
Materials of Construction (1)						
Head, Bowl & Internals	PVDF	PVDF	PVDF	PVDF	PVDF	PVDF
Seals (2)	Viton	Viton	Viton	Viton	Viton	Viton
Filter Element Code (3)	25.178.□	25.178.□	25.178.□	25.178.□	25.178.□	25.178.□
Adsorber Cartridge Code (4)	25.178.AT□	25.178.AT□	25.178.AT□	25.178.AT□	25.178.AT□	25.178.AT□
Principal Dimensions in mm						
Diameter	65	65	65	65	65	65
Height	246	246	258	246	246	258
Volume, cc	310	310	310	310	310	310
Weight, kg	0.33	0.33	0.33	0.33	0.33	0.33
Accessories						
Mounting Bracket	MBSS21	MBSS21	MBSS21	MBSS21	MBSS21	MBSS21

Notes

(1) Material abbreviations, PVDF = Polyvinylidenedifluoride

(2) Add suffix for other seal types, PTFE = .T, Chemraz = .C, Nitrile = N, Kalrez = .K, EPDM = .E, Silicone = .S, (e.g. KK231.221.T)

(3) Replace the □ with the grade required, e.g. 25.178.5CK, 25.178.T20

(4) Replace the □ with the type required, e.g. 25.178.AT01