

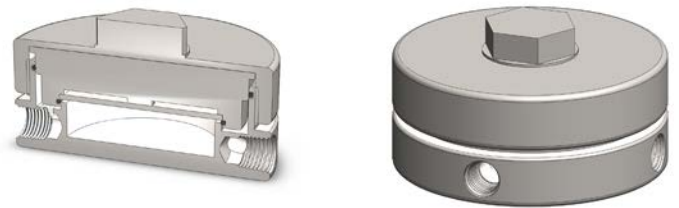
Materials	316L Stainless Steel
Pressure	100 Bar
Ports	1/4 or 1/2"
Filter Disc	FD.64.□

SW205 housings are designed to remove particulates from liquid samples. The inlet port is angled to create a 'cyclone' effect against a flat stainless steel filter disc. The sample passes through the filter to the outlet and the rest of the sample passes to the bypass port.

The housing design allows a quick change of the filter disc as all the line connections are arranged in the body of the housing and the threaded cap means no tools are required for access.

Standard housings have NPT ports and include Viton seals. Other seal types are available as an option. BSPT and BSPP port types are also available.

The housings are free from welds and comply with NACE MR-01-75.



Technical Specifications

Housing Model	SW205.221	SW205.441
Port Size	1/4" NPT	1/2" NPT
Drain & Bypass Port	1/4" NPT	1/2" NPT
Maximum Pressure, Bar (1)	100	100
Maximum Temperature, °C (2)	200	200
Materials of Construction (3)		
Head, Bowl & Internals	316L SS	316L SS
Seals (4)	Viton	Viton
Filter Disc Code (5)	FD.64.□	FD.64.□
Principal Dimensions in mm		
Diameter	100	100
Height	53.5	53.5
Volume, cc	35	35
Weight, kg	2.3	2.3
Accessories		
Mounting Bracket	MBSM206	MBSM206

Notes

- (1) Above 200°C the pressure rating is reduced, consult us the exact rating at any specific temperature
- (2) Maximum temperature 200°C using standard seal
- (3) Material abbreviations, 316L SS = 316L Stainless Steel
- (4) Add suffix for other seal types, PTFE = .T, Chemraz = .C, Nitrile = N, Kalrez = .K, EPDM = .E, Silicone = .S, (e.g. SW205.221.T)
- (5) Replace the □ with the filter disc grade required, e.g. FD.64.S20V

Materials	Aluminium & Polyamide
Pressure	10 Bar
Ports	1/8" or 1/4"
Element	12.32.□

AN112 series filter housings have an anodised aluminium head with polyamide bowl and internals.

They are supplied with 1/8" or 1/4" ports and have a range of drain options. These housings are suitable for compressed air systems and general filtration applications.

Standard housings have NPT ports and Viton seals. Other seal types are available as an option. BSPT and BSPP port types are also available.



Technical Specifications

Housing Model	AN112.101	AN112.111	AN112.161	AN112.201	AN112.211	AN112.261
Port Size	1/8" NPT	1/8" NPT	1/8" NPT	1/4" NPT	1/4" NPT	1/4" NPT
Drain	None	1/8" NPT	Manual	None	1/8" NPT	Manual
Maximum Pressure, Bar	10	10	10	10	10	10
Maximum Temperature, °C	50	50	50	50	50	50
Materials of Construction (1)						
Head	AL	AL	AL	AL	AL	AL
Bowl & Internals	PA	PA	PA	PA	PA	PA
Seals (2)	Viton	Viton	Viton	Viton	Viton	Viton
Filter Element Code (3)	12.32.□	12.32.□	12.32.□	12.32.□	12.32.□	12.32.□
Adsorber Cartridge Code (4)	12.32.AT□	12.32.AT□	12.32.AT□	12.32.AT□	12.32.AT□	12.32.AT□
Principal Dimensions in mm						
Diameter	40	40	40	40	40	40
Height	93.5	93.5	108	93.5	93.5	108
Volume, cc	25	25	25	25	25	25
Weight, kg	0.1	0.1	0.1	0.1	0.1	0.1
Accessories						
Mounting Bracket	MBSS11	MBSS11	MBSS11	MBSS11	MBSS11	MBSS11

Notes

(1) Material abbreviations, AL = Aluminium, PA = Polyamide

(2) Add suffix for other seal types, Chemraz = .C, Nitrile = N, Kalrez = .K, EPDM = .E, Silicone = .S, (e.g. AN112.201.E)

(3) Replace the □ with the grade required, e.g. 12.32.5CK, 12.32.S20V, 12.32.T20

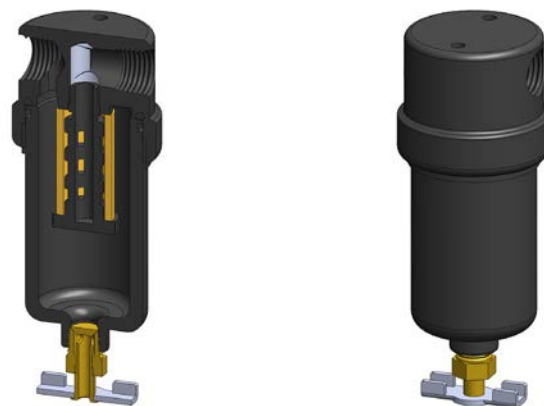
(4) Replace the □ with the type required, e.g. 12.32.AT01

Materials	Aluminium
Pressure	17 Bar
Ports	1/8" or 1/4"
Element	12.32.□

AA113 series filter housings have an anodised aluminium head and bowl with polyamide internals.

They are supplied with 1/8" or 1/4" ports and have a range of drain options. These housings are suitable for compressed air systems and general filtration applications.

Standard housings have NPT ports and Viton seals. Other seal types are available as an option. BSPT and BSPP port types are also available.



Technical Specifications

Housing Model	AA113.101	AA113.111	AA113.161	AA113.201	AA113.211	AA113.261
Port Size	1/8" NPT	1/8" NPT	1/8" NPT	1/4" NPT	1/4" NPT	1/4" NPT
Drain	None	1/8" NPT	Manual	None	1/8" NPT	Manual
Maximum Pressure, Bar	17	17	17	17	17	17
Maximum Temperature, °C	120	120	120	120	120	120
Materials of Construction (1)						
Head & Bowl	AL	AL	AL	AL	AL	AL
Internals	PA	PA	PA	PA	PA	PA
Seals (2)	Viton	Viton	Viton	Viton	Viton	Viton
Filter Element Code (3)	12.32.□	12.32.□	12.32.□	12.32.□	12.32.□	12.32.□
Adsorber Cartridge Code (4)	12.32.AT□	12.32.AT□	12.32.AT□	12.32.AT□	12.32.AT□	12.32.AT□
Principal Dimensions in mm						
Diameter	40	40	40	40	40	40
Height	95	95	111	95	95	111
Volume, cc	35	35	35	35	35	35
Weight, kg	0.15	0.15	0.15	0.15	0.15	0.15
Accessories						
Mounting Bracket	MBSS11	MBSS11	MBSS11	MBSS11	MBSS11	MBSS11

Notes

(1) Material abbreviations, AL = Aluminium, PA = Polyamide

(2) Add suffix for other seal types, Chemraz = .C, Nitrile = N, Kalrez = .K, EPDM = .E, Silicone = .S, (e.g. AA113.201.E)

(3) Replace the □ with the grade required, e.g. 12.32.5CK, 12.32.S20V, 12.32.T20

(4) Replace the □ with the type required, e.g. 12.32.AT01

Materials	Aluminium & Polyamide
Pressure	10 Bar
Ports	1/8" or 1/4"
Element	12.57.□

AN122 series filter housings have an anodised aluminium head with polyamide bowl and internals.

They are supplied with 1/8" or 1/4" ports and have a range of drain options. These housings are suitable for compressed air systems and general filtration applications.

Standard housings have NPT ports and Viton seals. Other seal types are available as an option. BSPT and BSPP port types are also available.



Technical Specifications

Housing Model	AN122.101	AN122.111	AN122.161	AN122.201	AN122.211	AN122.261
Port Size	1/8" NPT	1/8" NPT	1/8" NPT	1/4" NPT	1/4" NPT	1/4" NPT
Drain	None	1/8" NPT	Manual	None	1/8" NPT	Manual
Maximum Pressure, Bar	10	10	10	10	10	10
Maximum Temperature, °C	50	50	50	50	50	50
Materials of Construction (1)						
Head	AL	AL	AL	AL	AL	AL
Bowl & Internals	PA	PA	PA	PA	PA	PA
Seals (2)	Viton	Viton	Viton	Viton	Viton	Viton
Filter Element Code (3)	12.57.□	12.57.□	12.57.□	12.57.□	12.57.□	12.57.□
Adsorber Cartridge Code (4)	12.57.AT□	12.57.AT□	12.57.AT□	12.57.AT□	12.57.AT□	12.57.AT□
Principal Dimensions in mm						
Diameter	40	40	40	40	40	40
Height	110	110	124.5	110	110	124.5
Volume, cc	25	25	25	25	25	25
Weight, kg	0.1	0.1	0.1	0.1	0.1	0.1
Accessories						
Mounting Bracket	MBSS11	MBSS11	MBSS11	MBSS11	MBSS11	MBSS11

Notes

(1) Material abbreviations, AL = Aluminium, PA = Polyamide

(2) Add suffix for other seal types, Chemraz = .C, Nitrile = N, Kalrez = .K, EPDM = .E, Silicone = .S, (e.g. AN122.201.E)

(3) Replace the □ with the grade required, e.g. 12.57.5CK, 12.57.S20V, 12.57.T20

(4) Replace the □ with the type required, e.g. 12.57.AT01

Materials	Aluminium
Pressure	17 Bar
Ports	1/8" or 1/4"
Element	12.57.□

AA123 series filter housings have an anodised aluminium head and bowl with polyamide internals.

They are supplied with 1/8" or 1/4" ports and have a range of drain options. These housings are suitable for compressed air systems and general filtration applications.

Standard housings have NPT ports and Viton seals. Other seal types are available as an option. BSPT and BSPP port types are also available.



Technical Specifications

Housing Model	AA123.101	AA123.111	AA123.161	AA123.201	AA123.211	AA123.261
Port Size	1/8" NPT	1/8" NPT	1/8" NPT	1/4" NPT	1/4" NPT	1/4" NPT
Drain	None	1/8" NPT	Manual	None	1/8" NPT	Manual
Maximum Pressure, Bar	17	17	17	17	17	17
Maximum Temperature, °C	120	120	120	120	120	120
Materials of Construction (1)						
Head & Bowl	AL	AL	AL	AL	AL	AL
Internals	PA	PA	PA	PA	PA	PA
Seals (2)	Viton	Viton	Viton	Viton	Viton	Viton
Filter Element Code (3)	12.57.□	12.57.□	12.57.□	12.57.□	12.57.□	12.57.□
Adsorber Cartridge Code (4)	12.57.AT□	12.57.AT□	12.57.AT□	12.57.AT□	12.57.AT□	12.57.AT□
Principal Dimensions in mm						
Diameter	40	40	40	40	40	40
Height	112	112	127	112	112	127
Volume, cc	45	45	45	45	45	45
Weight, kg	0.15	0.15	0.15	0.15	0.15	0.15
Accessories						
Mounting Bracket	MBSS11	MBSS11	MBSS11	MBSS11	MBSS11	MBSS11

Notes

(1) Material abbreviations, AL = Aluminium, PA = Polyamide

(2) Add suffix for other seal types, Chemraz = .C, Nitrile = N, Kalrez = .K, EPDM = .E, Silicone = .S, (e.g. AA123.201.E)

(3) Replace the □ with the grade required, e.g. 12.57.5CK, 12.57.S20V, 12.57.T20

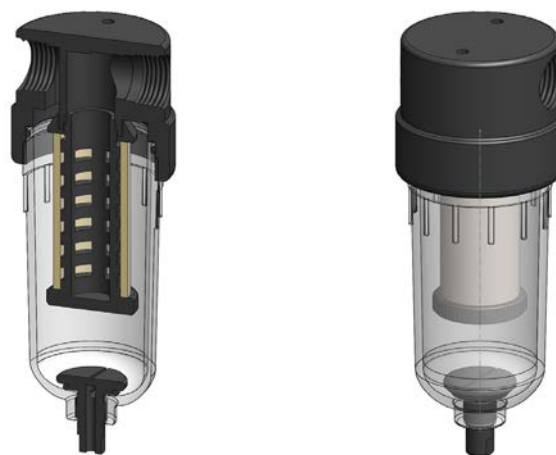
(4) Replace the □ with the type required, e.g. 12.57.AT01

Materials	Aluminium & Polyamide
Pressure	10 Bar
Ports	1/4" or 1/2"
Element	25.64.□

AN212 series filter housings have an anodised aluminium head with polyamide bowl and internals.

They are supplied with 1/4" or 1/2" ports and have a range of drain options included an automatic version. These housings are suitable for compressed air systems and general filtration applications.

Standard housings have NPT ports and Viton seals. Other seal types are available as an option. BSPT and BSPP port types are also available.



Technical Specifications

Housing Model	AN212.201	AN212.221	AN212.261	AN212.271	AN212.401	AN212.421	AN212.461	AN212.471
Port Size	1/4" NPT	1/4" NPT	1/4" NPT	1/4" NPT	1/2" NPT	1/2" NPT	1/2" NPT	1/2" NPT
Drain	None	1/4" NPT	Manual	Automatic	None	1/4" NPT	Manual	Automatic
Maximum Pressure, Bar	10	10	10	10	10	10	10	10
Maximum Temperature, °C	50	50	50	50	50	50	50	50
Materials of Construction (1)								
Head	AL	AL	AL	AL	AL	AL	AL	AL
Bowl & Internals	PA	PA	PA	PA	PA	PA	PA	PA
Seals (2)	Viton	Viton	Viton	Viton	Viton	Viton	Viton	Viton
Filter Element Code (3)	25.64.□	25.64.□	25.64.□	25.64.□	25.64.□	25.64.□	25.64.□	25.64.□
Adsorber Cartridge Code (4)	25.64.AT□	25.64.AT□	25.64.AT□	-	25.64.AT□	25.64.AT□	25.64.AT□	-
Principal Dimensions in mm								
Diameter	62	62	62	62	62	62	62	62
Height	159	159	171.5	171.5	159	159	171.5	171.5
Volume, cc	140	140	140	140	140	140	140	140
Weight, kg	0.3	0.3	0.3	0.3	0.3	0.3	0.3	0.3
Accessories								
Mounting Bracket	MBSS21	MBSS21	MBSS21	MBSS21	MBSS21	MBSS21	MBSS21	MBSS21

Notes

(1) Material abbreviations, AL = Aluminium, PA = Polyamide

(2) Add suffix for other seal types, Chemraz = .C, Nitrile = N, Kalrez = .K, EPDM = .E, Silicone = .S, (e.g. AN212.201.E)

(3) Replace the □ with the grade required, e.g. 25.64.5CK, 25.64.S20V, 25.64.T20

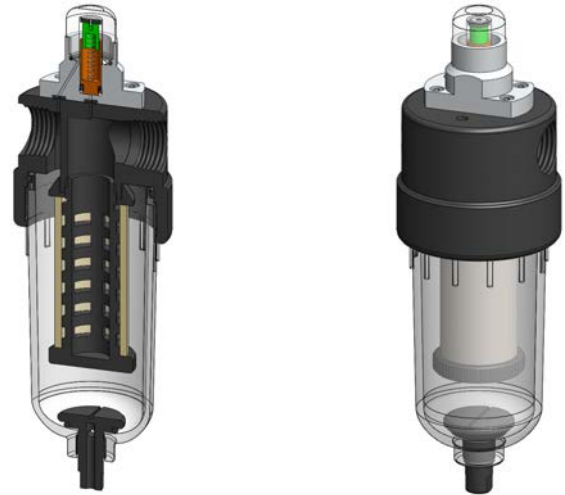
(4) Replace the □ with the type required, e.g. 25.64.AT01. Adsorber cartridges are not suitable for housings with automatic drains

Materials Aluminium & Polyamide
Pressure 10 Bar
Ports 1/4" or 1/2"
Element 25.64.□

AiN212 series filter housings with differential pressure indicators have an anodised aluminium head with polyamide bowl and internals.

They are supplied with 1/4" or 1/2" ports and have a range of drain options including an automatic version. These housings are suitable for compressed air systems and general filtration applications.

Standard housings have NPT ports and Viton seals. Other seal types are available as an option. BSPT and BSPP port types are also available.



Technical Specifications

Housing Model	AiN212.201	AiN212.221	AiN212.261	AiN212.271	AiN212.401	AiN212.421	AiN212.461	AiN212.471
Port Size	1/4" NPT	1/4" NPT	1/4" NPT	1/4" NPT	1/2" NPT	1/2" NPT	1/2" NPT	1/2" NPT
Drain	None	1/4" NPT	Manual	Automatic	None	1/4" NPT	Manual	Automatic
Maximum Pressure, Bar	10	10	10	10	10	10	10	10
Maximum Temperature, °C	50	50	50	50	50	50	50	50
Materials of Construction (1)								
Head	AL	AL	AL	AL	AL	AL	AL	AL
Bowl & Internals	PA	PA	PA	PA	PA	PA	PA	PA
Seals (2)	Viton	Viton	Viton	Viton	Viton	Viton	Viton	Viton
Filter Element Code (3)	25.64.□	25.64.□	25.64.□	25.64.□	25.64.□	25.64.□	25.64.□	25.64.□
Adsorber Cartridge Code (4)	25.64.AT□	25.64.AT□	25.64.AT□	-	25.64.AT□	25.64.AT□	25.64.AT□	-
Principal Dimensions in mm								
Diameter	62	62	62	62	62	62	62	62
Height	190.5	190.5	202	202	190.5	190.5	202	202
Volume, cc	140	140	140	140	140	140	140	140
Weight, kg	0.3	0.3	0.3	0.3	0.3	0.3	0.3	0.3
Accessories								
Mounting Bracket	MBAiN21	MBAiN21	MBAiN21	MBAiN21	MBAiN21	MBAiN21	MBAiN21	MBAiN21

Notes

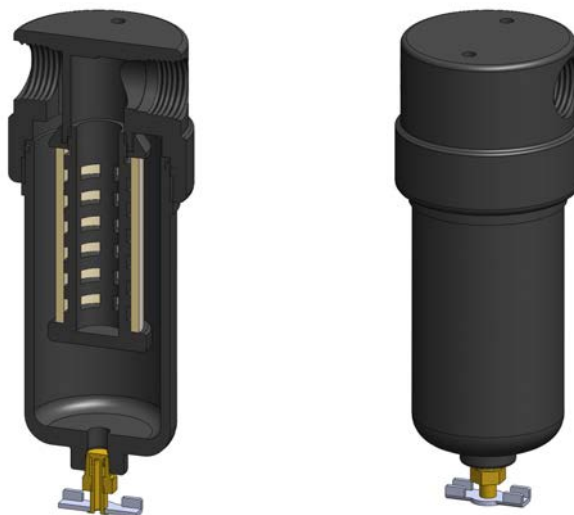
- (1) Material abbreviations, AL = Aluminium, PA = Polyamide
- (2) Add suffix for other seal types, Chemraz = .C, Nitrile = N, Kalrez = .K, EPDM = .E, Silicone = .S, (e.g. AiN212.201.E)
- (3) Replace the □ with the grade required, e.g. 25.64.5CK, 25.64.S20V, 25.64.T20
- (4) Replace the □ with the type required, e.g. 25.64.AT01. Adsorber cartridges are not suitable for housings with automatic drains

Materials Aluminium
Pressure 17 Bar
Ports 1/4" or 1/2"
Element 25.64.□

AA213 series filter housings have an anodised aluminium head and bowl with polyamide internals.

They are supplied with 1/4" or 1/2" ports and have a range of drain options included an automatic version. These housings are suitable for compressed air systems and general filtration applications.

Standard housings have NPT ports and Viton seals. Other seal types are available as an option. BSPT and BSPP port types are also available.



Technical Specifications

Housing Model	AA213.201	AA213.211	AA213.261	AA213.271	AA213.401	AA213.411	AA213.461	AA213.471
Port Size	1/4" NPT	1/4" NPT	1/4" NPT	1/4" NPT	1/2" NPT	1/2" NPT	1/2" NPT	1/2" NPT
Drain	None	1/8" NPT	Manual	Automatic	None	1/8" NPT	Manual	Automatic
Maximum Pressure, Bar	17	17	17	17	17	17	17	17
Maximum Temperature, °C	120	120	120	120	120	120	120	120
Materials of Construction (1)								
Head & Bowl	AL	AL	AL	AL	AL	AL	AL	AL
Internals	PA	PA	PA	PA	PA	PA	PA	PA
Seals (2)	Viton	Viton	Viton	Viton	Viton	Viton	Viton	Viton
Filter Element Code (3)	25.64.□	25.64.□	25.64.□	25.64.□	25.64.□	25.64.□	25.64.□	25.64.□
Adsorber Cartridge Code (4)	25.64.AT□	25.64.AT□	25.64.AT□	-	25.64.AT□	25.64.AT□	25.64.AT□	-
Principal Dimensions in mm								
Diameter	62	62	62	62	62	62	62	62
Height	151	151	164	164	151	151	164	164
Volume, cc	140	140	140	140	140	140	140	140
Weight, kg	0.45	0.45	0.45	0.45	0.45	0.45	0.45	0.45
Accessories								
Mounting Bracket	MBSS21	MBSS21	MBSS21	MBSS21	MBSS21	MBSS21	MBSS21	MBSS21

Notes

(1) Material abbreviations, AL = Aluminium, PA = Polyamide

(2) Add suffix for other seal types, Chemraz = .C, Nitrile = N, Kalrez = .K, EPDM = .E, Silicone = .S, (e.g. AA213.201.E)

(3) Replace the □ with the grade required, e.g. 25.64.5CK, 25.64.S20V, 25.64.T20

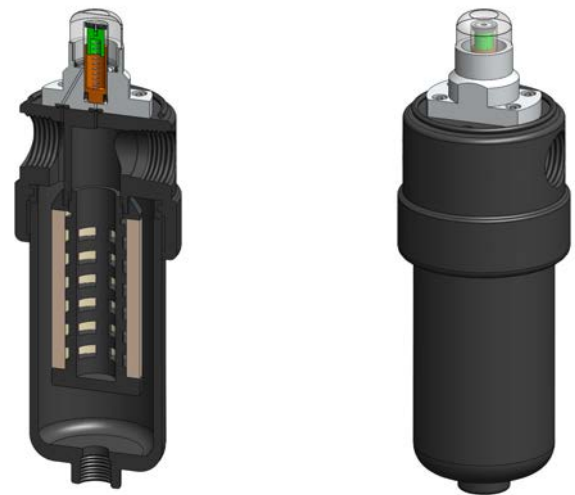
(4) Replace the □ with the type required, e.g. 25.64.AT01. Adsorber cartridges are not suitable for housings with automatic drains

Materials Aluminium
Pressure 17 Bar
Ports 1/4" or 1/2"
Element 25.64.□

AiA213 series filter housings with differential pressure indicators have an anodised aluminium head and bowl with polyamide internals.

They are supplied with 1/4" or 1/2" ports and have a range of drain options including an automatic version. These housings are suitable for compressed air systems and general filtration applications.

Standard housings have NPT ports and Viton seals. Other seal types are available as an option. BSPT and BSPP port types are also available.



Technical Specifications

Housing Model	AiA213.201	AiA213.221	AiA213.261	AiA213.271	AiA213.401	AiA213.421	AiA213.461	AiA213.471
Port Size	1/4" NPT	1/4" NPT	1/4" NPT	1/4" NPT	1/2" NPT	1/2" NPT	1/2" NPT	1/2" NPT
Drain	None	1/4" NPT	Manual	Automatic	None	1/4" NPT	Manual	Automatic
Maximum Pressure, Bar	17	17	17	17	17	17	17	17
Maximum Temperature, °C	50	50	50	50	50	50	50	50
Materials of Construction (1)								
Head & Bowl	AL	AL	AL	AL	AL	AL	AL	AL
Internals	PA	PA	PA	PA	PA	PA	PA	PA
Seals (2)	Viton	Viton	Viton	Viton	Viton	Viton	Viton	Viton
Filter Element Code (3)	25.64.□	25.64.□	25.64.□	25.64.□	25.64.□	25.64.□	25.64.□	25.64.□
Adsorber Cartridge Code (4)	25.64.AT□	25.64.AT□	25.64.AT□	-	25.64.AT□	25.64.AT□	25.64.AT□	-
Principal Dimensions in mm								
Diameter	62	62	62	62	62	62	62	62
Height	176	176	189	189	176	176	189	189
Volume, cc	140	140	140	140	140	140	140	140
Weight, kg	0.45	0.45	0.45	0.45	0.45	0.45	0.45	0.45
Accessories								
Mounting Bracket	MBAiN21	MBAiN21	MBAiN21	MBAiN21	MBAiN21	MBAiN21	MBAiN21	MBAiN21

Notes

(1) Material abbreviations, AL = Aluminium, PA = Polyamide

(2) Add suffix for other seal types, Chemraz = .C, Nitrile = N, Kalrez = .K, EPDM = .E, Silicone = .S, (e.g. AiA213.201.E)

(3) Replace the □ with the grade required, e.g. 25.64.5CK, 25.64.S20V, 25.64.T20

(4) Replace the □ with the type required, e.g. 25.64.AT01. Adsorber cartridges are not suitable for housings with automatic drains

Materials	Aluminium
Pressure	35 Bar
Ports	1/4" or 1/2"
Element	25.64.□

AA214 series filter housings have an anodised aluminium head and bowl with polyamide internals.

They are supplied with 1/4" or 1/2" ports and have a range of drain options included an automatic version. These housings are suitable for compressed air systems and general filtration applications.

Standard housings have NPT ports and Viton seals. Other seal types are available as an option. BSPT and BSPP port types are also available.



Technical Specifications

Housing Model	AA214.211	AA214.261	AA214.411	AA214.461
Port Size	1/4" NPT	1/4" NPT	1/2" NPT	1/2" NPT
Drain	1/8" NPT	Manual	1/8" NPT	Manual
Maximum Pressure, Bar	35	35	35	35
Maximum Temperature, °C	120	120	120	120
Materials of Construction (1)				
Head & Bowl	AL	AL	AL	AL
Internals	PA	PA	PA	PA
Seal (2)	Viton	Viton	Viton	Viton
Filter Element Code (3)	25.64.□	25.64.□	25.64.□	25.64.□
Adsorber Cartridge Code (4)	25.64.AT□	25.64.AT□	25.64.AT□	25.64.AT□
Principal Dimensions in mm				
Diameter	65	65	65	65
Height	141	154	141	154
Volume, cc	140	140	140	140
Weight, kg	0.65	0.65	0.65	0.65
Accessories				
Mounting Bracket	MBSS21	MBSS21	MBSS21	MBSS21

Notes

(1) Material abbreviations, AL = Aluminium, PA = Polyamide

(2) Add suffix for other seal types, Chemraz = .C, Nitrile = N, Kalrez = .K, EPDM = .E, Silicone = .S, (e.g. AA214.211.E)

(3) Replace the □ with the grade required, e.g. 25.64.5CK, 25.64.S20V, 25.64.T20

(4) Replace the □ with the type required, e.g. 25.64.AT01

AN222 & AN232 Filter Housing

Materials	Aluminium & Polyamide
Pressure	10 Bar
Ports	1/4" or 1/2"
Element	25.127.□ & 25.178.□

AN222 & AN232 series filter housings have an anodised aluminium head with polyamide bowl and internals.

They are supplied with 1/4" or 1/2" ports and have a range of drain options. These housings are suitable for compressed air systems and general filtration applications.

Standard housings have NPT ports and Viton seals. Other seal types are available as an option. BSPT and BSPP port types are also available.



Technical Specifications

Housing Model	AN232.201	AN232.221	AN232.261	AN222.271	AN232.401	AN232.421	AN232.461	AN222.471
Port Size	1/4" NPT	1/4" NPT	1/4" NPT	1/4" NPT	1/2" NPT	1/2" NPT	1/2" NPT	1/2" NPT
Drain	None	1/4" NPT	Manual	Automatic	None	1/4" NPT	Manual	Automatic
Maximum Pressure, Bar	10	10	10	10	10	10	10	10
Maximum Temperature, °C	50	50	50	50	50	50	50	50
Materials of Construction (1)								
Head	AL	AL	AL	AL	AL	AL	AL	AL
Bowl & Internals	PA	PA	PA	PA	PA	PA	PA	PA
Seals (2)	Viton	Viton	Viton	Viton	Viton	Viton	Viton	Viton
Filter Element Code (3)	25.178.□	25.178.□	25.178.□	25.127.□	25.178.□	25.178.□	25.178.□	25.127.□
Adsorber Cartridge Code (4)	25.178.AT□	25.178.AT□	25.178.AT□	-	25.178.AT□	25.178.AT□	25.178.AT□	-
Principal Dimensions in mm								
Diameter	62	62	62	62	62	62	62	62
Height	226	226	238	238	226	226	238	238
Volume, cc	240	240	240	240	240	240	240	240
Weight, kg	0.35	0.35	0.35	0.35	0.35	0.35	0.35	0.35
Accessories								
Mounting Bracket	MBSS21	MBSS21	MBSS21	MBSS21	MBSS21	MBSS21	MBSS21	MBSS21

Notes

(1) Material abbreviations, AL = Aluminium, PA = Polyamide

(2) Add suffix for other seal types, Chemraz = .C, Nitrile = N, Kalrez = .K, EPDM = .E, Silicone = .S, (e.g. An232.201.E)

(3) Replace the □ with the grade required, e.g. 25.178.5CK, 25.178.S20V, 25.178.T20

(4) Replace the □ with the type required, e.g. 25.178.AT01

AiN222 & AiN232

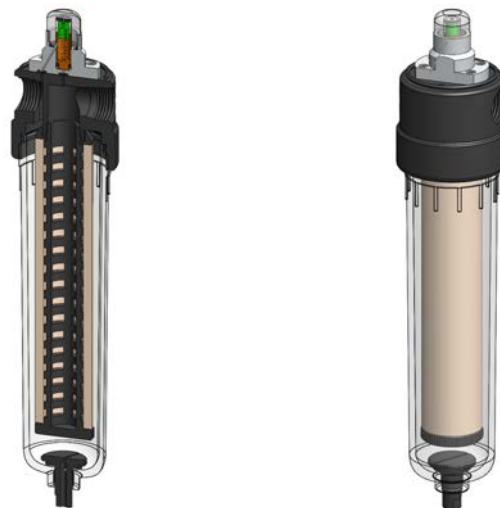
Filter Housing with DPI

Materials	Aluminium & Polyamide
Pressure	10 Bar
Ports	1/4" or 1/2"
Element	25.127.□ & 25.178.□

AiN222 & AiN232 series filter housings with differential pressure indicator have an anodised aluminium head with polyamide bowl and internals.

They are supplied with 1/4" or 1/2" ports and have a range of drain options. These housings are suitable for compressed air systems and general filtration applications.

Standard housings have NPT ports and Viton seals. Other seal types are available as an option. BSPT and BSPP port types are also available.



Technical Specifications

Housing Model	AiN232.201	AiN232.221	AiN232.261	AiN222.271	AiN232.401	AiN232.421	AiN232.461	AiN222.471
Port Size	1/4" NPT	1/4" NPT	1/4" NPT	1/4" NPT	1/2" NPT	1/2" NPT	1/2" NPT	1/2" NPT
Drain	None	1/4" NPT	Manual	Automatic	None	1/4" NPT	Manual	Automatic
Maximum Pressure, Bar	10	10	10	10	10	10	10	10
Maximum Temperature, °C	50	50	50	50	50	50	50	50
Materials of Construction (1)								
Head	AL	AL	AL	AL	AL	AL	AL	AL
Bowl & Internals	PA	PA	PA	PA	PA	PA	PA	PA
Seals (2)	Viton	Viton	Viton	Viton	Viton	Viton	Viton	Viton
Filter Element Code (3)	25.178.□	25.178.□	25.178.□	25.127.□	25.178.□	25.178.□	25.178.□	25.127.□
Adsorber Cartridge Code (4)	25.178.AT□	25.178.AT□	25.178.AT□	-	25.178.AT□	25.178.AT□	25.178.AT□	-
Principal Dimensions in mm								
Diameter	62	62	62	62	62	62	62	62
Height	251	251	264	264	251	251	264	264
Volume, cc	240	240	240	240	240	240	240	240
Weight, kg	0.35	0.35	0.35	0.35	0.35	0.35	0.35	0.35
Accessories								
Mounting Bracket	MBAiN21	MBAiN21	MBAiN21	MBAiN21	MBAiN21	MBAiN21	MBAiN21	MBAiN21

Notes

(1) Material abbreviations, AL = Aluminium, PA = Polyamide

(2) Add suffix for other seal types, Chemraz = .C, Nitrile = .N, Kalrez = .K, EPDM = .E, Silicone = .S, (e.g. AiN233.201.E)

(3) Replace the □ with the grade required, e.g. 25.178.5CK, 25.178.S20V, 25.178.T20

(4) Replace the □ with the type required, e.g. 25.178.AT01

AA223 & AA233 Filter Housing

Materials	Aluminium
Pressure	17 Bar
Ports	1/4" or 1/2"
Element	25.127.□ & 25.178.□

AA223 & AA233 series filter housings have an anodised aluminium head and bowl with polyamide internals.

They are supplied with 1/4" or 1/2" ports and have a range of drain options. These housings are suitable for compressed air systems and general filtration applications.

Standard housings have NPT ports and Viton seals. Other seal types are available as an option. BSPT and BSPP port types are also available.



Technical Specifications

Housing Model	AA233.201	AA233.211	AA233.261	AA223.271	AA233.401	AA233.411	AA233.461	AA223.471
Port Size	1/4" NPT	1/4" NPT	1/4" NPT	1/4" NPT	1/2" NPT	1/2" NPT	1/2" NPT	1/2" NPT
Drain	None	1/8" NPT	Manual	Automatic	None	1/8" NPT	Manual	Automatic
Maximum Pressure, Bar	17	17	17	17	17	17	17	17
Maximum Temperature, °C	120	120	120	120	120	120	120	120
Materials of Construction (1)								
Head & Bowl	AL	AL	AL	AL	AL	AL	AL	AL
Internals	PA	PA	PA	PA	PA	PA	PA	PA
Seals (2)	Viton	Viton	Viton	Viton	Viton	Viton	Viton	Viton
Filter Element Code (3)	25.178.□	25.178.□	25.178.□	25.127.□	25.178.□	25.178.□	25.178.□	25.127.□
Adsorber Cartridge Code (4)	25.178.AT□	25.178.AT□	25.178.AT□	-	25.178.AT□	25.178.AT□	25.178.AT□	-
Principal Dimensions in mm								
Diameter	62	62	62	62	62	62	62	62
Height	271	271	284	284	271	271	284	284
Volume, cc	240	240	240	240	240	240	240	240
Weight, kg	0.35	0.35	0.35	0.35	0.35	0.35	0.35	0.35
Accessories								
Mounting Bracket	MBSS21	MBSS21	MBSS21	MBSS21	MBSS21	MBSS21	MBSS21	MBSS21

Notes

(1) Material abbreviations, AL = Aluminium, PA = Polyamide

(2) Add suffix for other seal types, Chemraz = .C, Nitrile = N, Kalrez = .K, EPDM = .E, Silicone = .S, (e.g. AA233.201.E)

(3) Replace the □ with the grade required, e.g. 25.178.5CK, 25.178.S20V, 25.178.T20

(4) Replace the □ with the type required, e.g. 25.178.AT01

AiA223 & AiA233

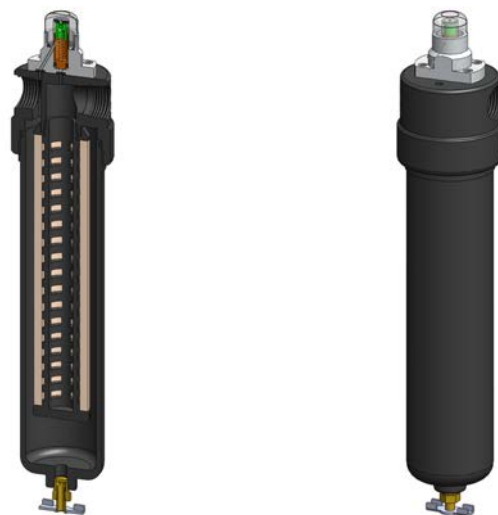
Filter Housing with DPI

Materials	Aluminium
Pressure	17 Bar
Ports	1/4" or 1/2"
Element	25.127.□ & 25.178.□

AiA223 & AiA233 series filter housings with differential pressure indicators have an anodised aluminium head and bowl with polyamide internals.

They are supplied with 1/4" or 1/2" ports and have a range of drain options. These housings are suitable for compressed air systems and general filtration applications.

Standard housings have NPT ports and Viton seals. Other seal types are available as an option. BSPT and BSPP port types are also available.



Technical Specifications

Housing Model	AiA233.201	AiA233.211	AiA233.261	AiA223.271	AiA233.401	AiA233.411	AiA233.461	AiA223.471
Port Size	1/4" NPT	1/4" NPT	1/4" NPT	1/4" NPT	1/2" NPT	1/2" NPT	1/2" NPT	1/2" NPT
Drain	None	1/8" NPT	Manual	Automatic	None	1/8" NPT	Manual	Automatic
Maximum Pressure, Bar	17	17	17	17	17	17	17	17
Maximum Temperature, °C	120	120	120	120	120	120	120	120
Materials of Construction (1)								
Head & Bowl	AL	AL	AL	AL	AL	AL	AL	AL
Internals	PA	PA	PA	PA	PA	PA	PA	PA
Seals (2)	Viton	Viton	Viton	Viton	Viton	Viton	Viton	Viton
Filter Element Code (3)	25.178.□	25.178.□	25.178.□	25.127□	25.178.□	25.178.□	25.178.□	25.127□
Adsorber Cartridge Code (4)	25.178.AT□	25.178.AT□	25.178.AT□	-	25.178.AT□	25.178.AT□	25.178.AT□	-
Principal Dimensions in mm								
Diameter	62	62	62	62	62	62	62	62
Height	297	297	309	309	297	297	309	309
Volume, cc	240	240	240	240	240	240	240	240
Weight, kg	0.35	0.35	0.35	0.35	0.35	0.35	0.35	0.35
Accessories								
Mounting Bracket	MBAiN21	MBAiN21	MBAiN21	MBAiN21	MBAiN21	MBAiN21	MBAiN21	MBAiN21

Notes

(1) Material abbreviations, AL = Aluminium, PA = Polyamide

(2) Add suffix for other seal types, Chemraz = .C, Nitrile = N, Kalrez = .K, EPDM = .E, Silicone = .S, (e.g. AiA233.201.E)

(3) Replace the □ with the grade required, e.g. 25.178.5CK, 25.178.S20V, 25.178.T20

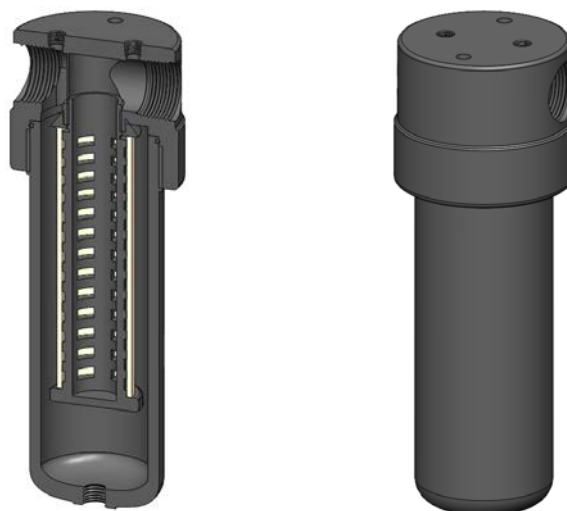
(4) Replace the □ with the type required, e.g. 25.178.AT01

Materials	Aluminium
Pressure	17 Bar
Ports	3/4" or 1"
Element	38.152.□

AA323 series filter housings have an anodised aluminium head and bowl with polyamide internals.

They are supplied with 3/4" or 1" ports and have a range of drain options. These housings are suitable for compressed air systems and general filtration applications.

Standard housings have NPT ports and Viton seals. Other seal types are available as an option. BSPT and BSPP port types are also available.



Technical Specifications

Housing Model	AA323.511	AA323.561	AA323.571	AA323.611	AA323.661	AA323.671
Port Size	3/4" NPT	3/4" NPT	3/4" NPT	1" NPT	1" NPT	1" NPT
Drain	1/8" NPT	Manual	Automatic	1/8" NPT	Manual	Automatic
Maximum Pressure, Bar	17	17	17	17	17	17
Maximum Temperature, °C	120	120	120	120	120	120
Materials of Construction (1)						
Head & Bowl	AL	AL	AL	AL	AL	AL
Internals	PA	PA	PA	PA	PA	PA
Seal (2)	Viton	Viton	Viton	Viton	Viton	Viton
Filter Element Code (3)	38.152.□	38.152.□	38.152.□	38.152.□	38.152.□	38.152.□
Adsorber Cartridge Code (4)	38.152.AT□	38.152.AT□	38.152.AT□	38.152.AT□	38.152.AT□	38.152.AT□
Principal Dimensions in mm						
Diameter	95	95	95	95	95	95
Height	272	295	295	272	295	295
Volume, cc	470	470	470	470	470	470
Weight, kg	2.0	2.0	2.0	2.0	2.0	2.0
Accessories						
Mounting Bracket	MBAA32	MBAA32	MBAA32	MBAA32	MBAA32	MBAA32

Notes

(1) Material abbreviations, AL = Aluminium, PA = Polyamide

(2) Add suffix for other seal types, Chemraz = .C, Nitrile = N, Kalrez = .K, EPDM = .E, Silicone = .S, (e.g. AA323.511.E)

(3) Replace the □ with the grade required, e.g. 38.152.5CK, 38.152.S20V, 38.152.T20

(4) Replace the □ with the type required, e.g. 38.152.AT01

Materials	Aluminium
Pressure	17 Bar
Ports	3/4" or 1"
Element	38.152.□

AiA323 series filter housings with differential pressure indicators have an anodised aluminium head and bowl with polyamide internals.

They are supplied with 3/4" or 1" ports and have a range of drain options. These housings are suitable for compressed air systems and general filtration applications.

Standard housings have NPT ports and Viton seals. Other seal types are available as an option. BSPT and BSPP port types are also available.



Technical Specifications

Housing Model	AiA323.511	AiA323.561	AiA323.571	AiA323.611	AiA323.661	AiA323.671
Port Size	3/4" NPT	3/4" NPT	3/4" NPT	1" NPT	1" NPT	1" NPT
Drain	1/8" NPT	Manual	Automatic	1/8" NPT	Manual	Automatic
Maximum Pressure, Bar	17	17	17	17	17	17
Maximum Temperature, °C	120	120	120	120	120	120
Materials of Construction (1)						
Head & Bowl	AL	AL	AL	AL	AL	AL
Internals	PA	PA	PA	PA	PA	PA
Seals (2)	Viton	Viton	Viton	Viton	Viton	Viton
Filter Element Code (3)	38.152.□	38.152.□	38.152.□	38.152.□	38.152.□	38.152.□
Adsorber Cartridge Code (4)	38.152.AT□	38.152.AT□	38.152.AT□	38.152.AT□	38.152.AT□	38.152.AT□
Principal Dimensions in mm						
Diameter	95	95	95	95	95	95
Height	329	352	352	329	352	352
Volume, cc	470	470	470	470	470	470
Weight, kg	2.0	2.0	2.0	2.0	2.0	2.0
Accessories						
Mounting Bracket	MBAA32	MBAA32	MBAA32	MBAA32	MBAA32	MBAA32

Notes

(1) Material abbreviations, AL = Aluminium, PA = Polyamide

(2) Add suffix for other seal types, Chemraz = .C, Nitrile = N, Kalrez = .K, EPDM = .E, Silicone = .S, (e.g. AA323.511.E)

(3) Replace the □ with the grade required, e.g. 38.152.5CK, 38.152.S20V, 38.152.T20

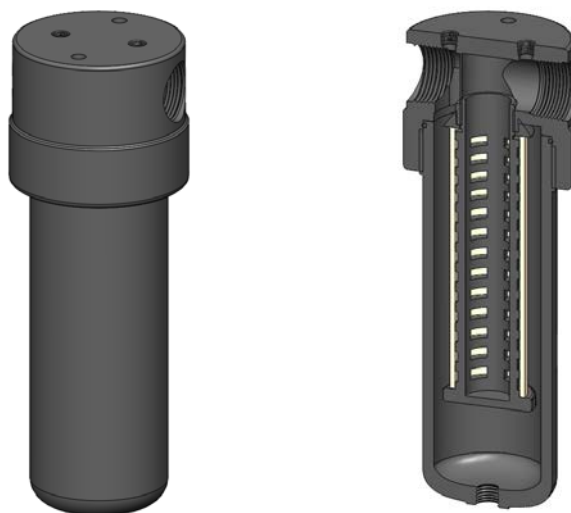
(4) Replace the □ with the type required, e.g. 38.152.AT01

Materials	Aluminium
Pressure	100 Bar
Ports	3/4" or 1"
Element	38.152.□

AA325 series filter housings have an anodised aluminium head and bowl with polyamide internals.

They are supplied with 3/4" or 1" ports and have 1/4" drain ports. These housings are suitable for compressed air systems and general filtration applications.

Standard housings have NPT ports and Viton seals. Other seal types are available as an option. BSPT and BSPP port types are also available.



Technical Specifications

Housing Model	AA325.521	AA325.621
Port Size	3/4" NPT	1" NPT
Drain	1/4" NPT	1/4" NPT
Maximum Pressure, Bar	100	100
Maximum Temperature, °C	120	120
Materials of Construction (1)		
Head & Bowl	AL	AL
Internals	PA	PA
Seal (2)	Viton	Viton
Filter Element Code (3)	38.152.□	38.152.□
Adsorber Cartridge Code (4)	38.152.AT□	38.152.AT□
Principal Dimensions in mm		
Diameter	95	95
Height	272	272
Volume, cc	470	470
Weight, kg	2.0	2.0
Accessories		
Mounting Bracket	MBAA32	MBAA32

Notes

(1) Material abbreviations, AL = Aluminium, PA = Polyamide

(2) Add suffix for other seal types, Chemraz = .C, Nitrile = N, Kalrez = .K, EPDM = .E, Silicone = .S, (e.g. AA325.521.E)

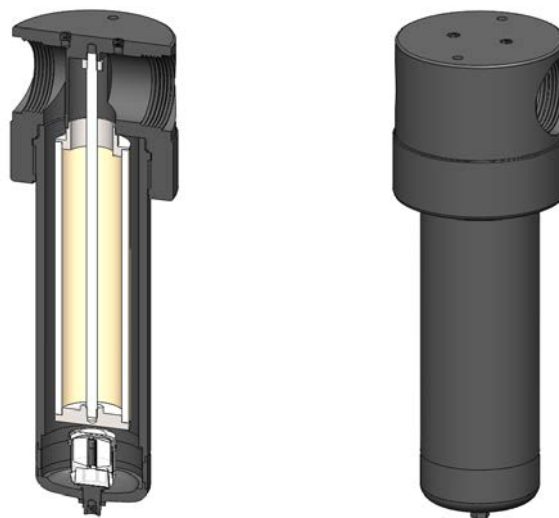
(3) Replace the □ with the grade required, e.g. 38.152.5CK, 38.152.S20V, 38.152.T20

(4) Replace the □ with the type required, e.g. 38.152.AT01

Materials	Aluminium
Pressure	17 Bar
Ports	1&1/2" or 2"
Element	51.230.□

The AA423 series filter housings have anodised aluminium head, bowl and internals with a stainless steel tie rod. They are supplied with 1&1/2" or 2" ports and have a range of drain options. These housings are suitable for compressed air systems and general filtration applications.

Standard housings have NPT ports and Viton seals. Other seal types are available as an option. BSPT and BSPP port types are also available.



Technical Specifications

Housing Model	AA423.711	AA423.761	AA423.771	AA423.811	AA423.861	AA423.871
Port Size	1&1/2" NPT	1&1/2" NPT	1&1/2" NPT	2" NPT	2" NPT	2" NPT
Drain	1/8" NPT	Manual	Automatic	1/8" NPT	Manual	Automatic
Maximum Pressure, Bar	17	17	17	17	17	17
Maximum Temperature, °C	120	120	120	120	120	120
Materials of Construction (1)						
Head & Bowl	AL	AL	AL	AL	AL	AL
Internals	AL & SS	AL & SS	AL & SS	AL & SS	AL & SS	AL & SS
Seals (2)	Viton	Viton	Viton	Viton	Viton	Viton
Filter Element Code (3)	51.230.□	51.230.□	51.230.□	51.230.□	51.230.□	51.230.□
Adsorber Cartridge Code (4)	51.230.AD□	51.230.AD□	51.230.AD□	51.230.AD□	51.230.AD□	51.230.AD□
Principal Dimensions in mm						
Diameter	135	135	135	135	135	135
Height	405	418	418	405	418	418
Volume, cc	1300	1300	1300	1300	1300	1300
Weight, kg	4.0	4.0	4.0	4.0	4.0	4.0
Accessories						
Mounting Bracket	MBAA42	MBAA42	MBAA42	MBAA42	MBAA42	MBAA42

Notes

(1) Material abbreviations, AL = Aluminium, SS = Stainless Steel

(2) Add suffix for other seal types, Chemraz = .C, Nitrile = N, Kalrez = .K, EPDM = .E, Silicone = .S, (e.g. AA4233.7111.E)

(3) Replace the □ with the grade required, e.g. 51.230.5CK, 51.230.S20V, 51.230.T20

(4) Replace the □ with the type required, e.g. 51.230.AT01

Materials	Aluminium
Pressure	17 Bar
Ports	1&1/2" or 2"
Element	51.230.□

The AiA423 series filter housings with differential pressure indicators have anodised aluminium head, bowl and internals with a stainless steel tie rod. They are supplied with 1&1/2" or 2" ports and have a range of drain options. These housings are suitable for compressed air systems and general filtration applications.

Standard housings have NPT ports and Viton seals. Other seal types are available as an option. BSPT and BSPP port types are also available.



Technical Specifications

Housing Model	AiA423.711	AiA423.761	AiA423.771	AiA423.811	AiA423.861	AiA423.871
Port Size	1&1/2" NPT	1&1/2" NPT	1&1/2" NPT	2" NPT	2" NPT	2" NPT
Drain	1/8" NPT	Manual	Automatic	1/8" NPT	Manual	Automatic
Maximum Pressure, Bar	17	17	17	17	17	17
Maximum Temperature, °C	120	120	120	120	120	120
Materials of Construction (1)						
Head & Bowl	AL	AL	AL	AL	AL	AL
Internals	AL & SS	AL & SS	AL & SS	AL & SS	AL & SS	AL & SS
Seals (2)	Viton	Viton	Viton	Viton	Viton	Viton
Filter Element Code (3)	51.230.□	51.230.□	51.230.□	51.230.□	51.230.□	51.230.□
Adsorber Cartridge Code (4)	51.230.AD□	51.230.AD□	51.230.AD□	51.230.AD□	51.230.AD□	51.230.AD□
Principal Dimensions in mm						
Diameter	135	135	135	135	135	135
Height	462	475	475	462	475	475
Volume, cc	1300	1300	1300	1300	1300	1300
Weight, kg	4.0	4.0	4.0	4.0	4.0	4.0
Accessories						
Mounting Bracket	MBAA42	MBAA42	MBAA42	MBAA42	MBAA42	MBAA42

Notes

(1) Material abbreviations, AL = Aluminium, SS = Stainless Steel

(2) Add suffix for other seal types, Chemraz = .C, Nitrile = N, Kalrez = .K, EPDM = .E, Silicone = .S, (e.g. AiA423.711.E)

(3) Replace the □ with the grade required, e.g. 51.230.5CK, 51.230.S20V, 51.230.T20

(4) Replace the □ with the type required, e.g. 51.230.AT01

Materials	Aluminium
Pressure	17 Bar
Ports	1&1/2" or 2"
Element	51.476.□

The AA433 series filter housings have anodised aluminium head, bowl and internals with a stainless steel tie rod. They are supplied with 1&1/2" or 2" ports and have a range of drain options. These housings are suitable for compressed air systems and general filtration applications.

Standard housings have NPT ports and Viton seals. Other seal types are available as an option. BSPT and BSPP port types are also available.



Technical Specifications

Housing Model	AA433.711	AA433.761	AA433.771	AA433.811	AA433.861	AA433.871
Port Size	1&1/2" NPT	1&1/2" NPT	1&1/2" NPT	2" NPT	2"	2"
Drain	1/8" NPT	Manual	Automatic	1/8"	Manual	Automatic
Maximum Pressure, Bar	17	17	17	17	17	17
Maximum Temperature, °C	120	120	120	120	120	120
Materials of Construction (1)						
Head & Bowl	AL	AL	AL	AL	AL	AL
Internals	AL & SS	AL & SS	AL & SS	AL & SS	AL & SS	AL & SS
Seals (2)	Viton	Viton	Viton	Viton	Viton	Viton
Filter Element Code (3)	51.476.□	51.476.□	51.476.□	51.476.□	51.476.□	51.476.□
Adsorber Cartridge Code (4)	51.476.AD□	51.476.AD□	51.476.AD□	51.476.AD□	51.476.AD□	51.476.AD□
Principal Dimensions in mm						
Diameter	135	135	135	135	135	135
Height	650	663	663	650	663	663
Volume, cc	2500	2500	2500	2500	2500	2500
Weight, kg	5.5	5.5	5.5	5.5	5.5	5.5
Accessories						
Mounting Bracket	MBAA42	MBAA42	MBAA42	MBAA42	MBAA42	MBAA42

Notes

(1) Material abbreviations, AL = Aluminium, SS = Stainless Steel

(2) Add suffix for other seal types, Chemraz = .C, Nitrile = N, Kalrez = .K, EPDM = .E, Silicone = .S, (e.g. AA433.711.E)

(3) Replace the □ with the grade required, e.g. 51.476.5CK, 51.476.S20V, 51.476.T20

(4) Replace the □ with the type required, e.g. 51.476.AT01

Materials	Aluminium
Pressure	17 Bar
Ports	1&1/2" or 2"
Element	51.476.□

The AiA433 series filter housings with differential pressure indicators have anodised aluminium head, bowl and internals with a stainless steel tie rod.

They are supplied with 1&1/2" or 2" ports and have a range of drain options. These housings are suitable for compressed air systems and general filtration applications.

Standard housings have NPT ports and Viton seals. Other seal types are available as an option. BSPT and BSPP port types are also available.



Technical Specifications

Housing Model	AiA433.711	AiA433.761	AiA433.771	AiA433.811	AiA433.861	AiA433.871
Port Size	1&1/2" NPT	1&1/2" NPT	1&1/2" NPT	2" NPT	2" NPT	2" NPT
Drain	1/8" NPT	Manual	Automatic	1/8"	Manual	Automatic
Maximum Pressure, Bar	17	17	17	17	17	17
Maximum Temperature, °C	120	120	120	120	120	120
Materials of Construction (1)						
Head & Bowl	AL	AL	AL	AL	AL	AL
Internals	AL & SS	AL & SS	AL & SS	AL & SS	AL & SS	AL & SS
Seals (2)	Viton	Viton	Viton	Viton	Viton	Viton
Filter Element Code (3)	51.476.□	51.476.□	51.476.□	51.476.□	51.476.□	51.476.□
Adsorber Cartridge Code (4)	51.476.AD□	51.476.AD□	51.476.AD□	51.476.AD□	51.476.AD□	51.476.AD□
Principal Dimensions in mm						
Diameter	135	135	135	135	135	135
Height	707	720	720	707	720	
Volume, cc	2500	2500	2500	2500	2500	2500
Weight, kg	5.5	5.5	5.5	5.5	5.5	5.5
Accessories						
Mounting Bracket	MBAA42	MBAA42	MBAA42	MBAA42	MBAA42	MBAA42

Notes

(1) Material abbreviations, AL = Aluminium, SS = Stainless Steel

(2) Add suffix for other seal types, Chemraz = .C, Nitrile = N, Kalrez = .K, EPDM = .E, Silicone = .S, (e.g. AA433.711.E)

(3) Replace the □ with the grade required, e.g. 51.476.5CK, 51.476.S20V, 51.476.T20

(4) Replace the □ with the type required, e.g. 51.476.AT01